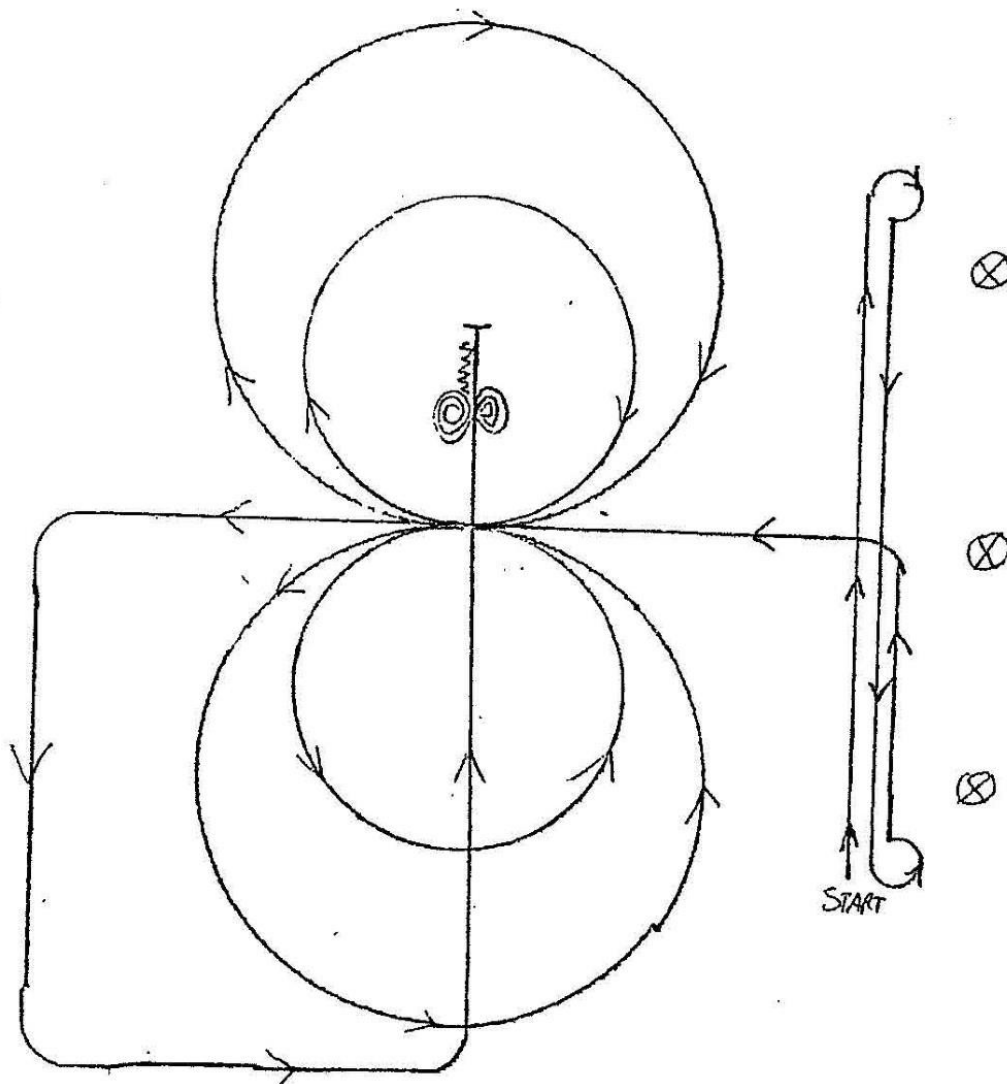


Ranch Reined Work Pattern 3



Start on the right side of the arena at least 20 feet from the fence

1. Run past end marker, stop, rollback right
2. Run past end marker, stop, rollback left, go to center of the arena
3. Lope one large fast and one small slow circle to the left, change leads
4. Lope one small slow circle and one large fast circle right, Change leads
5. Continue around the end of the arena and begin rundown past center, stop, back at least 10 feet. (Not required to run down the middle of the arena, but rundown must be at least 20ft from the fence)
6. Spin either direction 3x
7. Spin opposite direction 3 1/2x